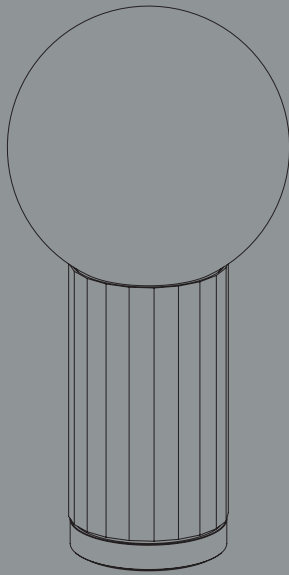


INSTRUCTION MANUAL

TURN ON



By Joel Hoff

HAY

INTRODUCTION

A unified piece of design made from aluminium and opal glass. The base is a faceted cylinder that works as both the light switch and the stem that holds the spherical glass light in place. Turning the base in a clockwise direction clicks the LED light on, with further rotation increasing the lights brightness. The design's in-built movement allows the user to intuitively brighten or dim the light.

TECHNICAL DATA

This product is supplied with a 4.5W integrated LED module, which is not to be replaced by the consumer.

The expected lifespan of the LED module is 25,000 hours. This sealed unit is not replaceable.

ATTENTION

In some countries electrical installations must be carried out by authorised electricians/contractors; please check with our local authority for guidance. The product must

not be modified in any way. HAY accepts no responsibility for any products that have been modified or tampered with. This lamp is designed for indoor use only.

CARE AND MAINTENANCE

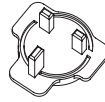
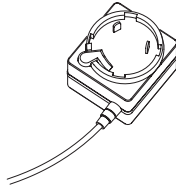
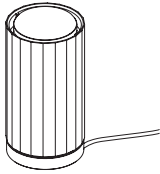
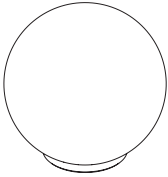
Ensure that the power supply has been turned OFF before cleaning the product. We recommend that you use a microfibre cloth to clean any dust accumulated on the shade, arm and base. Do not clean with a wet cloth, or

use alcohol or any other solvents to clean this product.

The external flexible cable or cord of this luminaire cannot be replaced; if the cord is damaged, the luminaire should be destroyed.

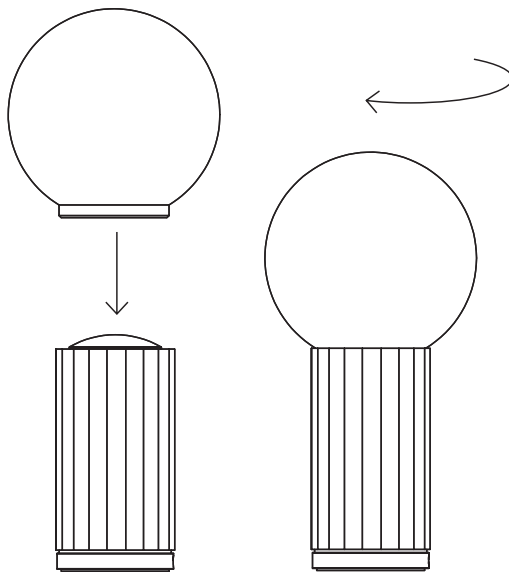


PARTS



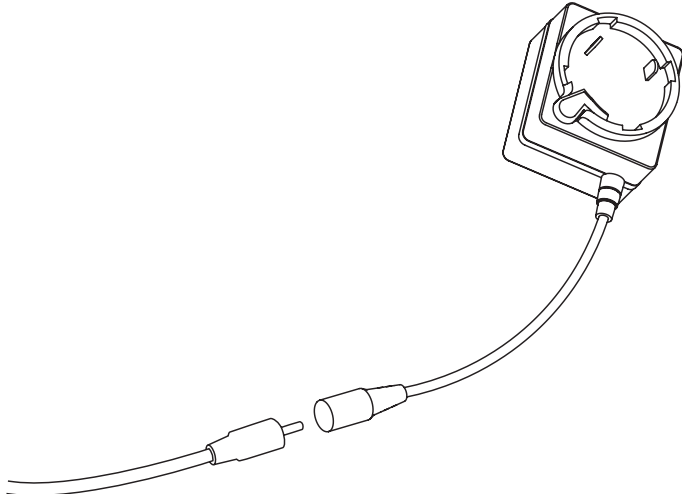
1.

Twist the sphere of the lampshade clockwise onto the base of the lamp to secure the shade. Only use light force to prevent the glass from breaking.



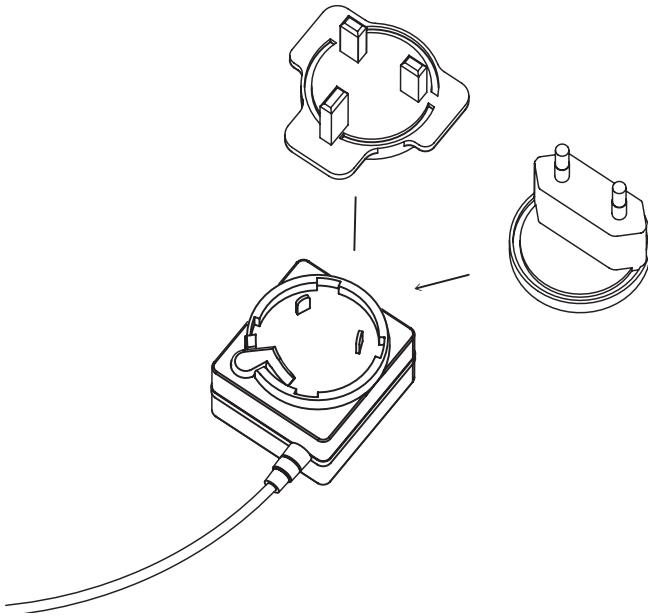
2.

Plug the trailing cable into the power supply.



3.

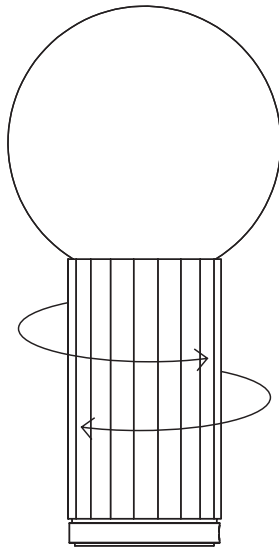
Attach the correct adapter for your region.



4.

To operate the lamp, twist the body clockwise until it clicks to turn on. Continue twisting the lamp to reach full brightness.

The lamp can be dimmed by twisting the body in the opposite direction. Clockwise makes it brighter, counter-clockwise makes it dimmer.



Havnen 1 8700 Horsens Denmark
+45 4282 0282 / hay@hay.com

HAY